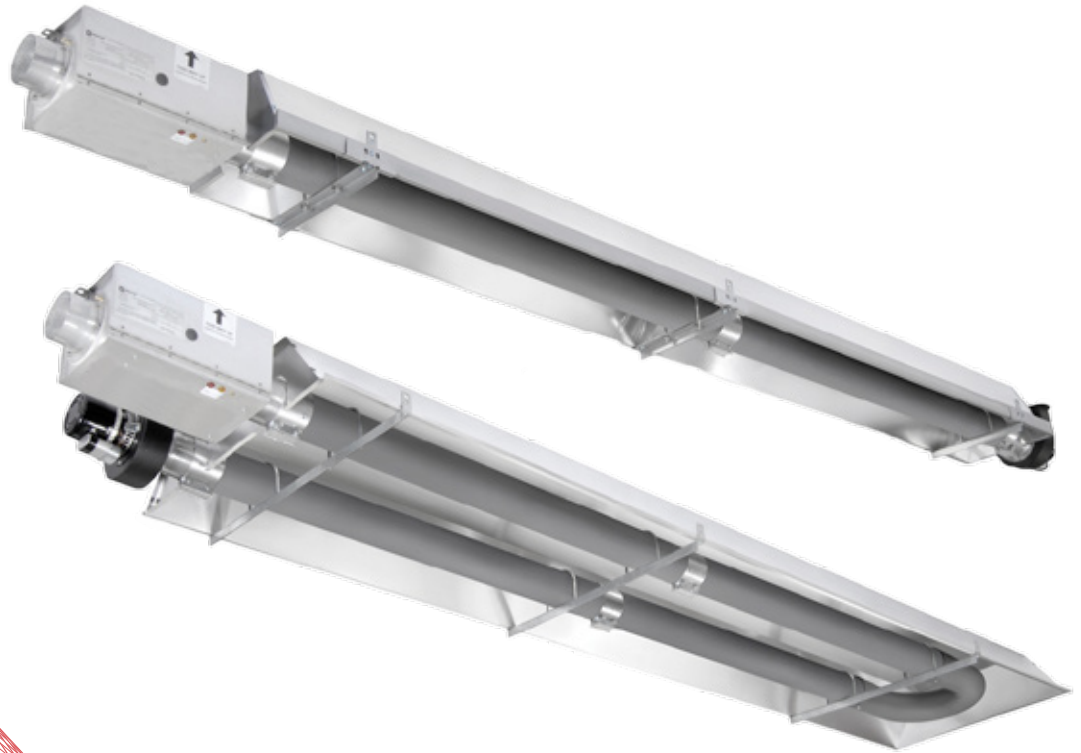


PT Radiant Heater Range

Industrial & Commercial Heating Systems.



www.powrmatic.co.uk



CE

HEATING // VENTILATION // AIR CONDITIONING

PT Radiant Heater Overview

Models Available

- **PTUL** - U-Tube Linear
- **PTUH** - U-Tube High Efficiency
- **PTSL** - Single Linear
- **PTSH** - Single High Efficiency
- **PTDSL** - Double Linear

Benefits

- Input Ratings from 15kW to 94kW available in Linear and 'U' models
- 'Herringbone' Multi Heater systems available with all 'U' and Linear models
- Heat treated Aluminised Calorised emitter tube surface - for flake free and cleaner working environment.
- Natural Gas and Propane
- Aluminium reflectors - the tested and proven superior material - designed to maximise downward radiant heating effect
- Lightweight construction - 100mm tubes supplied in 3m sections - easy to assemble and install
- CE Approved
- Efficient and cost saving heating method
- All units have efficiency levels that meet the minimum efficiency requirements of UK PartL2B Building Regulations
- High Efficiency models also available
- Manufactured in the UK to ISO9001 : 2008 Quality Assured System
- All units test fired before despatch



Duties

PT Series

UK PartL2B Compliant & High Efficiency Ranges

Model PTUL & PTUH			*15	25	30	35	40	45
Heat Input - PTUL	kW		15.0	23.0	29.2	34.5	42.2	47.0
Heat Input -PTUH	kW		n/a	21.1	26.3	30.2	37.7	41.9
Weight	kg		31	47	66		81	
Gas Connection	BSP/Rc		1/2"					
Supply Pressure	mbar		Natural Gas - 17.5 Propane - 37					
Consumption Standard Output	m³/h	Nat Gas	1.40	2.15	2.73	3.23	3.95	4.40
	m³/h	LPG	0.57	0.87	1.11	1.31	1.60	1.79
Flue Diameter	mm		125					
Air Inlet Connection	mm		100					

Model PTSL & PTSH			*15	25	30	35	40	45
Heat Input - PTSL	kW		15.0	23.0	29.2	34.05	42.2	47.0
Heat Input - PTSH	kW		n/a	20.5	26.9	30.9	36.2	41.8
Weight	kg		27	46	62		79	
Gas Connection	BSP/Rc		1/2"					
Supply Pressure	mbar		Natural Gas - 17.5 Propane - 37					
Consumption Standard Output	m³/h	Nat Gas	1.40	2.15	2.73	3.23	3.95	4.40
	m³/h	LPG	0.57	0.87	1.11	1.31	1.60	1.79
Flue Diameter	mm		125					
Air Inlet Connection	mm		100					

** PTDSL Model only			15	25	30	35	40	45
Heat Input - PTDSL	kW		30.0	46.0	58.4	69.0	84.4	94.0
Weight	kg		60	92	124		158	
Gas Connection	BSP/Rc		1/2					
Supply Pressure	mbar		Natural Gas - 17.5 Propane - 37					
Consumption Standard Output	m³/h	Nat Gas	2.81	4.31	5.47	6.46	7.90	8.80
	m³/h	LPG	1.14	1.75	2.22	2.62	3.21	3.57
Flue Diameter	mm		150***					
Air Inlet Connection	mm		100 Dia					

Recommended Mounting Height (General guidance only)						
Model	PTU/PTS 15	PTU/PTS 25	PTU/PTS 30	PTU/PTS 35	PTU/PTS 40	PTU/PTS 45
Horizontal m	2.4 - 6.0	3.0 - 8.0	3.8 - 10.0	4.0 - 12.5	4.8 - 13.5	5.6 - 15.0
Angled > 30° m	2.1 - 4.5	2.7 - 5.0	3.3 - 7.0	3.7 - 8.0	4.0 - 9.0	4.8 - 11.0

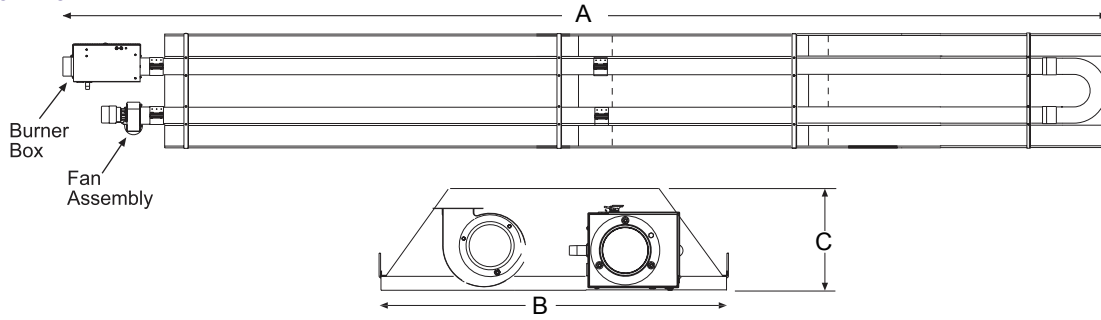
Minimum Clearances to Combustible Material - mm						
Model	Side	Above	Below	End	Front	Rear
PTU / PTS 15	450	450	1220	450	575	305
PTU/PTS 25	510	450	1220	510	610	305
PTU/PTS 30-45	760	610	2285	610	760	380

Notes:

- * High efficiency units are only available from size 25 upwards.
- ** Double Linear tubes are not yet available in the High Efficiency range.
- *** 125mm Flue diameter is allowed for the PTDSL model

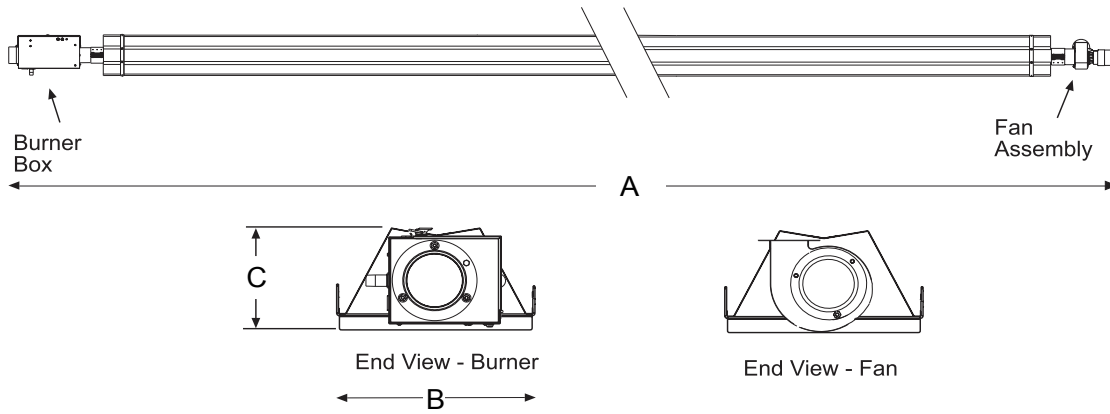
Dimensions

PTUL & PTUH



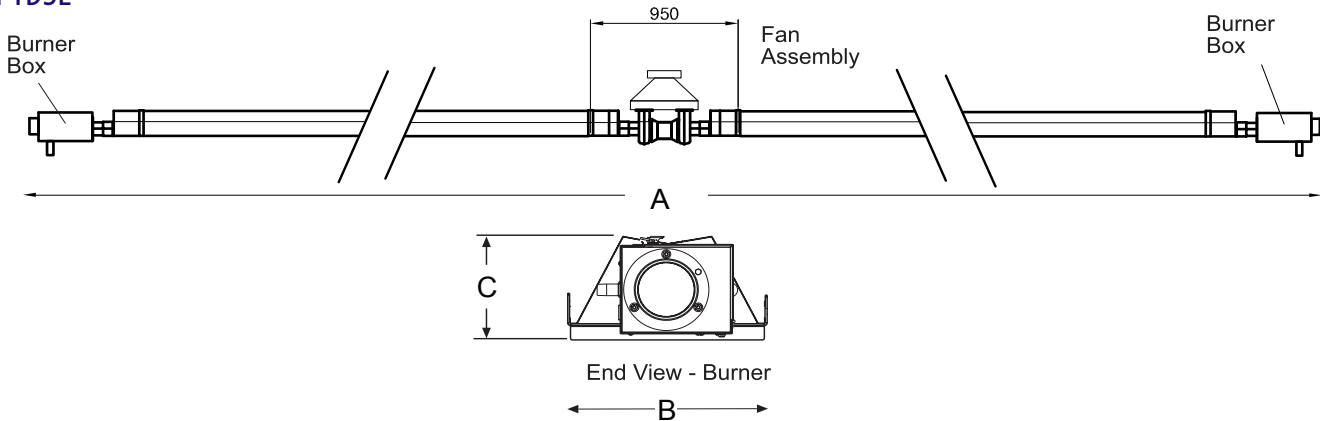
Model PTUL & PTUH		15	25	30	35	40	45
Length - A	mm	3100	5385	5510		6970	
Width - B	mm	460		715			
Height - C	mm	175		210			

PTSL & PTSH



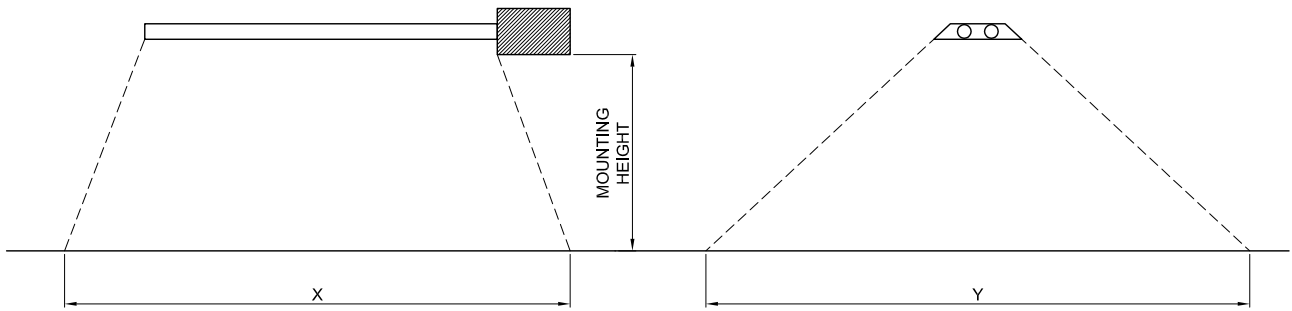
Model PSTL & PTSH		15	25	30	35	40	45
Length - A	mm	5495	10065	9955		13000	
Width - B	mm	460	340				
Height - C	mm	175	180				

PTDSL



PTDSL Model only		15	25	30	35	40	45
Length - A	mm	10934	20078	19858		25948	
Width - B	mm	340					
Height - C	mm	392					

Radiant Tube Floor Coverage



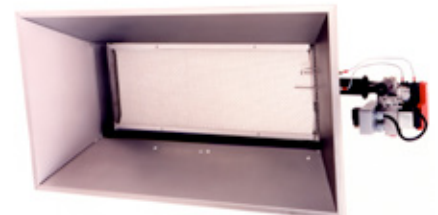
Optimum floor coverage dimensions (in metres) at given heights - horizontal mounting

Model	PTSL/H 15		PTSL/H 25		PTSL/H 30		PTSL/H 35		PTSL/H 40		PTSL/H 45	
Height (m)	X	Y	X	Y	X	Y	X	Y	X	Y	X	Y
4m	12.0	8.0	16.0	8.0	16.0	8.0	16.0	8.0				
5m	13.0	9.0	17.0	9.0	17.0	9.0	17.0	9.0	20.0	9.0		
6m	14.0	10.0	18.0	10.0	18.0	10.0	18.0	10.0	21.0	10.0	21.0	12.0
7m			19.0	11.0	19.0	11.0	19.0	11.0	22.0	11.0	22.0	14.0
8m			20.0	12.0	20.0	12.0	20.0	12.0	23.0	12.0	23.0	15.0
9m					20.5	13.0	20.5	13.0	23.5	13.0	23.5	16.0
10m					21.0	14.0	21.0	14.0	24.0	14.0	24.0	14.0
11m							21.5	15.0	24.5	14.0	24.5	15.0
12m							22.0	16.0	25.0	14.0	25.0	16.0
13m									25.0	14.0	25.0	16.0
14m											26.0	16.0
15m											26.5	16.0

Model	PTUL 15		PTUL/H 25		PTUL/H 30		PTUL/H 35		PTUL/H 40		PTUL/H 45	
Height (m)	X	Y	X	Y	X	Y	X	Y	X	Y	X	Y
4m	11.0	8.0	13.0	8.0	13.0	8.0						
5m	12.0	9.0	15.0	10.0	15.0	10.0	15.0	10.0	16.0	10.0		
6m	14.0	10.0	16.0	12.0	16.0	12.0	16.0	12.0	18.0	12.0	18.0	12.0
7m			17.0	13.0	17.0	13.0	17.0	13.0	20.0	14.0	20.0	14.0
8m			18.0	14.0	18.0	14.0	18.0	14.0	21.0	15.0	21.0	15.0
9m					18.5	15.0	18.5	15.0	22.0	16.0	22.0	16.0
10m					19.0	16.0	19.0	16.0	22.5	16.5	22.5	16.5
11m							19.5	17.0	23.0	17.0	23.0	17.0
12m							20.0	18.0	23.5	17.5	23.5	17.5
13m									24.0	18.0	24.0	18.0
14m											24.5	18.5
15m											25.0	19.0

PRP Radiant Plaque Heaters

Model		PRP 08	PRP 15	PRP 22	PRP 30
Input Rating - Natural Gas	kW	7.60	15.20	21.00	30.40
Input Rating - LPG	kW	n/a	15.00	n/a	30.00
Length	mm	615	895	1175	1425
Width	mm	428	435	435	435
Height	mm	325	385	385	385
Weight	kg	6.0	11.0	14.0	24.0
Electrics	V/ph/Hz	230/1/50 - 25w 0.11A, fused externally 3A			
Gas Connection	BSP/Rc	1/2"			
Supply Pressure	mbar	NG - min 17, max 25 LPG - min 25, max 45			



General

The following notes are provided as a guide, however installers and operators should fully acquaint themselves with the more detailed guidance provided in the relevant installation manual. For copies of such manuals please consult our technical department or visit our website - www.powrmatic.co.uk

Standards

All Powrmatic radiant tube heaters are specifically designed for environmental space heating applications only and must be installed, commissioned and operated with due regard to appropriate regulations including, but not limited to, the Gas Safety (Installations and Use) Regulations 1998 for gas fired products, the Health and Safety at Works Act 1974, relevant Codes of Practice, BS-13410:2001 and other relevant standards, the possible requirements of Local Authorities, Fire Officers and insurers as well as Powrmatic's installation manual.

Position, Location & Assembly

Powrmatic radiant heaters are designed for internal location only. Effective heating is dependent upon mounting height as well as location within the building or heated zone. Minimum, as well as maximum, mounting heights must be observed. Please refer to page 3 & 5 for further information.

Suspension materials must be non-combustible and of sufficient strength and integrity to support the weight loading. Heaters must be supported from permanent structures and on no account be supported from gas lines or other pipework. Heaters should be supported along the entire length using the appropriate mounting points provided. Linear heaters should have a 0.25° slope upwards towards the burner.

Consideration should also be given to flue routes and points of exit, gas, electrical and control connections, the radiant heating characteristics of the heater, issues of public access and the siting of environmental control stations and/or remote temperature sensors where the position needs to be representative of the zone temperature to which they refer.

Heaters should not be installed in hazardous areas or areas where there is a foreseeable risk of flammable or corrosion inducing particles, gases or vapours being drawn into the combustion air circuit.

Powrmatic Ltd
Hort Bridge
Ilminster
Somerset
TA19 9PS

tel: +44 (0) 1460 53535
 fax: +44 (0) 1460 52341
 e-mail: info@powrmatic.co.uk
 web: www.powrmatic.co.uk



Powrmatic Ireland
45 Broomhill Close
Tallaght
Dublin 24

tel: +353 (0) 1452 1533
 fax: +353 (0) 1452 1764
 e-mail: info@powrmatic.ie
 web: www.powrmatic.ie



Effective and safe operation heaters is entirely dependent upon correct on-site assembly of the constituent parts. The assembly instructions provided must be strictly followed.

In all cases installers must refer to the Installation, Operation and Maintenance manual prior to commencing works.

Combustion Air, General Ventilation & Fluing

Within the United Kingdom mandatory regulations apply concerning the provision of combustion air and general heater ventilation.

Powrmatic radiant tube heaters may be installed in either vented (flued) or unvented (unflued) mode however specific regulations and requirements apply for the safe evacuation of flue gases. Installers must refer to the Installation, Operation and Maintenance manual prior to commencing works.

Installation Clearances

Particular clearances are necessary for the correct and safe function of the heater as well as for maintenance purposes. Such clearances are confirmed in the relevant installation manual.

Pipework

Care should be taken when sizing gas pipework to ensure that minimum gas inlet pressures are not compromised under dynamic load conditions. Isolating valves and service unions should be provided for each heater and pipework installed with due regard for relevant standards and Codes of Practice.

The final connection to the heater must include a suitable flexible gas pipe so that the fixed element of gas pipework cannot be influenced or effected by expansion and movement of tube heater.

Guarantee

Powrmatic radiant tube heaters are provided with a comprehensive guarantee. For United Kingdom sales the heater has the benefit of a **two year** parts and **one year** labour guarantee. All guarantees are subject to terms and conditions.

