

# wall mounted LU range <sup>NEW</sup>



Wireless R.C.



For ASYG07/09LU

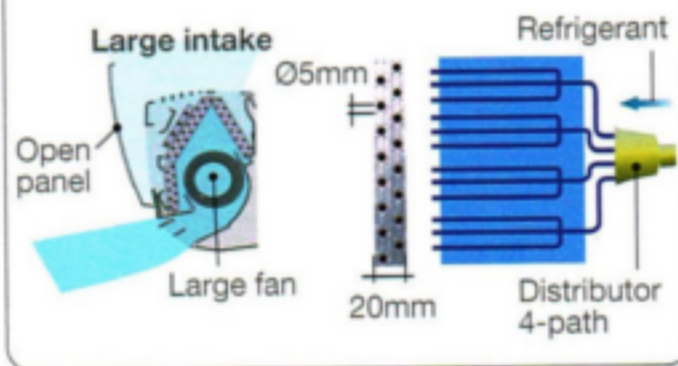


For ASYG12/14LU

CLASS ALL CLASS ALL CLASS ALL CLASS ALL  
**A DC A DC A DC A DC**  
 ASYG07LU **NEW** ASYG09LU **NEW** ASYG12LU **NEW** ASYG14LU **NEW**

## Slimline design

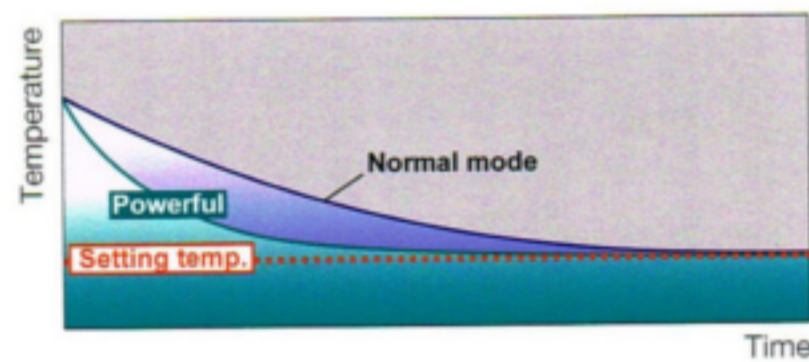
Our high-density multi-path heat exchanger and high efficiency fan helps achieve slimline design.



Depth **185mm**

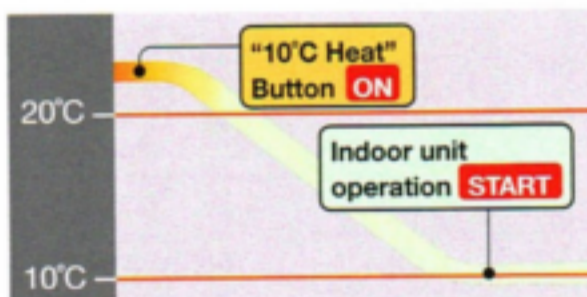
## Powerful operation

The system can operate for 20 minutes continuously at maximum air flow and compressor speed. This rapid cooling or heating ensures the room is made comfortable more quickly.



## 10°C HEAT Operation \*Only available with Wireless RC.

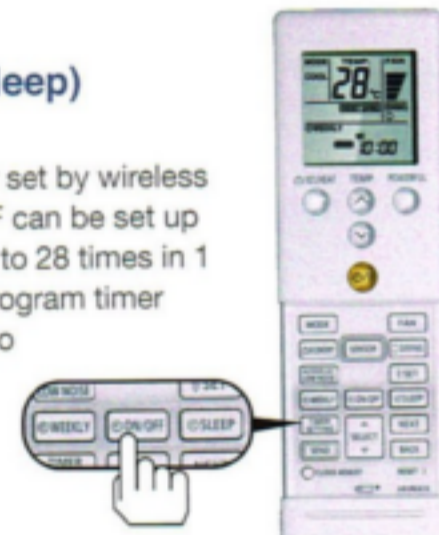
The room temperature can be set to go no lower than 10°C, ensuring that the room does not get too cold when not occupied.



- Note**
- When the room temperature is higher than 10°C, "10°C HEAT" operation does not start. Operation starts and maintains the room temperature at 10°C for 48 hours when the temperature drops below 10°C.
  - When "10°C HEAT" operation stops, the room set temperature quickly returns to the preset temperature.

## 3 Mode timer (Weekly/Program/Sleep)

Weekly timer can be easily set by wireless remote controller. ON, OFF can be set up to 4 times in 1 day and up to 28 times in 1 week. For other modes, program timer and sleep timer can be also selected by one button.



## Dimensions

Models: ASYG07LU / ASYG09LU / ASYG12LU / ASYG14LU

