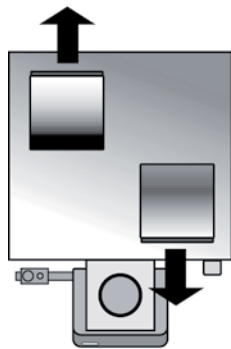
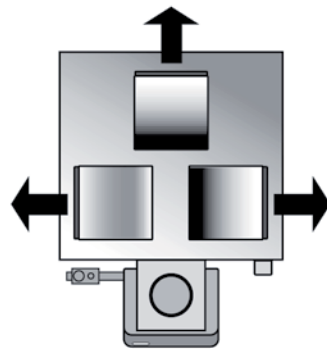




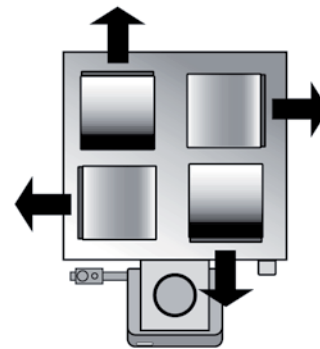
Air Discharge and Inlet Details VN/VD



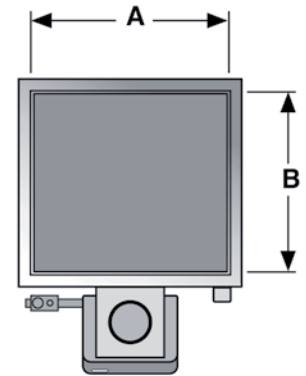
Nozzle outlet 30-60



Nozzle outlet 75-120

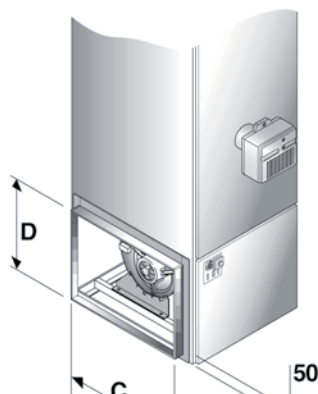


Nozzle outlet 135-375

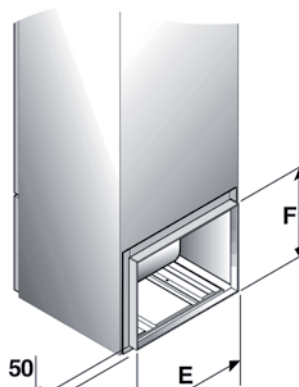


Duct outlet spigot

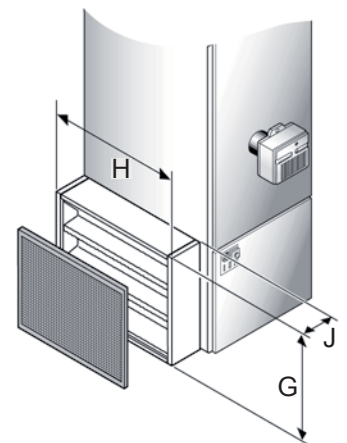
Return Air spigots and Filters VN/VD



Side inlet spigot
left (as shown) or right -
please specify at time of order



Rear inlet spigot



Side inlet filter
Left (as shown) or right - please specify at time of order.
Additional side inlet spigot is required to connect filter box to inlet ductwork

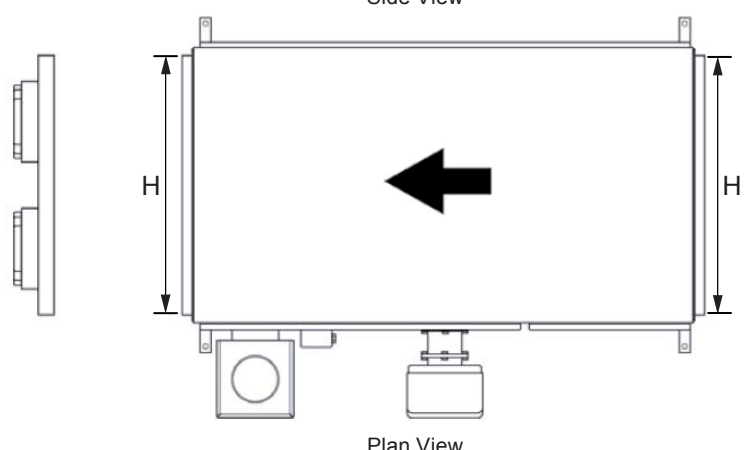
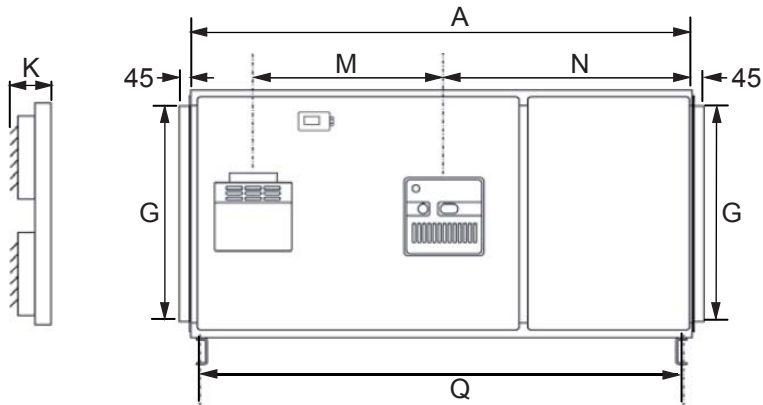
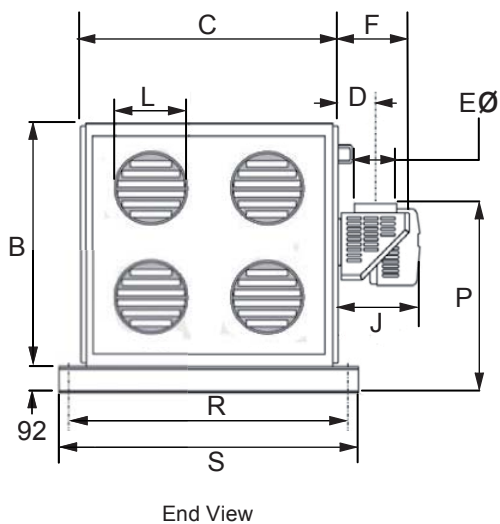
DIMENSIONS

New Model Ref	30	35	40	60	75	85	120	135	180	205	235	275	350	375
Old Model Ref	100	125	150	200	250	300	400	500	600	700	800	1000	1200	1300
Head plan (VN)	1	1	1	1	2	2	2	3	3	3	3	3	3	3
Nozzle detail (VN)	no. 2	2	2	2	3	3	3	4	4	4	4	4	4	4
	Spigot ø	240	240	240	240	240	240	280	280	320	320	370	370	370
Outlet Spigot (VD)	A	570	570	570	634	634	634	714	714	890	890	1000	1000	1086
	B	570	570	570	770	770	770	950	950	1120	1120	1450	1450	1365
Side Inlet Spigot (VN/VD)	C	522	522	522	702	702	702	904	904	1078	1078	1145	1145	1150
	D	348	348	348	427	427	427	542	542	692	692	654	654	796
Rear Inlet Spigot (VN/VD)	E	620	620	620	520	520	520	608	608	790	790	935	935	n/a
	F	445	445	445	550	550	550	550	550	560	560	654	654	n/a
Inlet Filter Assembly (VN/VD)	G	420	420	420	600	600	600	680	680	765	765	720	720	860
	H	660	660	660	800	800	800	990	990	1165	1165	1245	1245	1530
	J	300	300	300	300	300	300	300	300	300	300	450	450	450
Installation Clearances														
Front		500	500	500	500	500	500	600	600	600	900	900	900	900
Side		300	300	300	300	300	300	300	300	300	300	400	400	500
Rear		700	700	700	1000	1000	1000	1200	1200	1500	1500	2000	2000	2000

Filter cassettes can be withdrawn from either side, ensure adequate clearance for withdrawal i.e. full width of filter box

Cabinet Heaters

Horizontal Heaters HN/HD



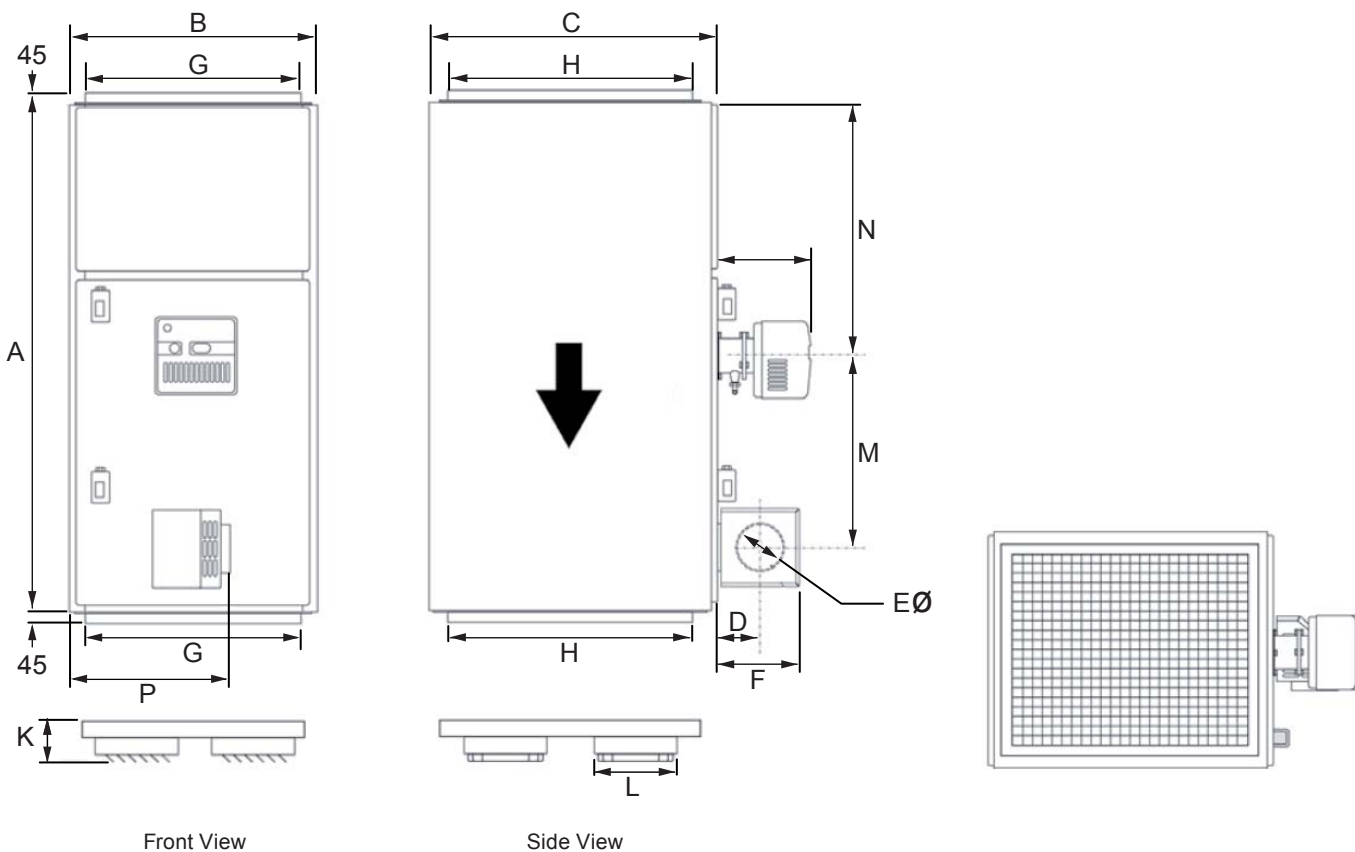
Note: Units may be specified for airflow right to left which is the standard configuration as shown. Alternatively units can be specified for airflow left to right.

DIMENSIONS

New Model Ref	60	75	85	120	135	180	205	235	275	350	375
Old Model Ref	200	250	300	400	500	600	700	800	1000	1200	1300
A	1865	1865	1865	1993	1993	2093	2093	2076	2076	2667	2667
B	660	660	660	740	740	916	916	1100	1100	1244	1244
C	925	925	925	1085	1085	1315	1315	1550	1550	1550	1550
D	170	170	170	170	170	200	200	225	225	203	203
E	mmø	150	150	175	175	175	200	200	225	225	250
F		320	320	320	320	320	380	380	380	380	355
G		560	560	560	640	640	816	816	1000	1000	1086
H		790	790	790	952	952	1182	1182	1450	1450	1365
J	Oil	267	267	267	298	298	298	476	476	476	476
	Gas	362	362	362	432	432	432	580	580	580	580
K		160	160	160	225	225	320	320	320	320	320
L	mmø	209	209	209	290	290	425	425	425	425	480
M		676	676	676	790	790	790	790	769	769	1054
N		984	984	984	968	968	1068	1068	1054	1054	1372
P		568	568	568	607	607	740	740	840	840	1396
Q		1806	1806	1806	1934	1934	2034	2034	1475	1475	2612
R		1081	1081	1081	1244	1244	1474	1474	1750	1750	1750
S		1157	1157	1157	1320	1320	1550	1550	1826	1826	1826



Downflow Heaters RN/RD

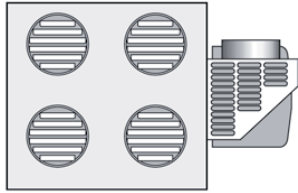


Front View

Side View

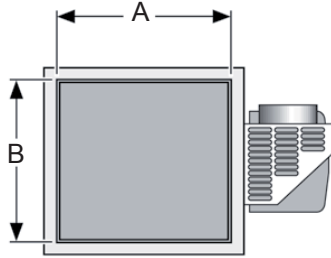
DIMENSIONS												
New Model Ref	60	75	85	120	135	180	205	235	275	350	375	
Old Model Ref	200	250	300	400	500	600	700	800	1000	1200	1300	
A	1865	1865	1865	1993	1993	2093	2093	2076	2076	2667	2667	
B	660	660	660	740	740	916	916	1100	1100	1244	1244	
C	925	925	925	1085	1085	1315	1315	1550	1550	1550	1550	
D	170	170	170	170	170	200	200	225	225	203	203	
E	mmø	150	150	175	175	175	200	200	225	225	250	250
F		320	320	320	320	320	380	380	380	380	355	355
G		560	560	560	640	640	816	816	1000	1000	1086	1086
H		790	790	790	952	952	1182	1182	1450	1450	1365	1365
J	Oil	267	267	267	298	298	298	476	476	476	476	476
	Gas	362	362	362	432	432	432	580	580	580	580	580
K		160	160	160	225	225	320	320	320	320	320	320
L		209	209	209	290	290	425	425	425	425	480	480
M		676	676	676	790	790	790	790	769	769	1054	1054
N		984	984	984	968	968	1068	1068	1054	1054	1372	1372
P		476	476	476	515	515	648	648	748	748	1304	1304

Air Discharge and Inlet Details



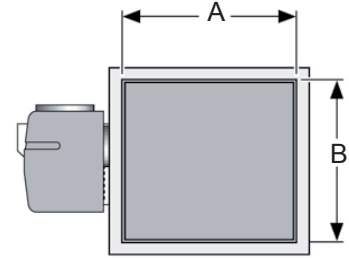
Discharge outlets (HN/RN)

(All HN/RN models are supplied with 4 louvred outlets)



Outlet spigot (HD/RD)

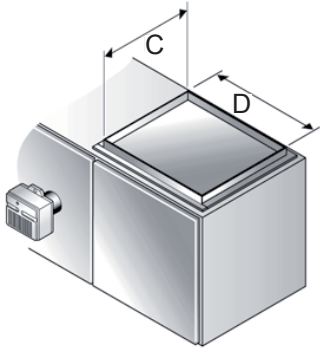
(Flue location shown for standard R-L horizontal airflow)



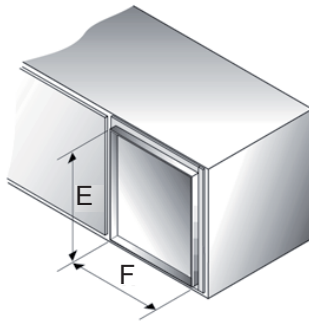
End inlet spigot (HN/RN HD/RD)

(Burner location shown for standard R-L horizontal airflow)

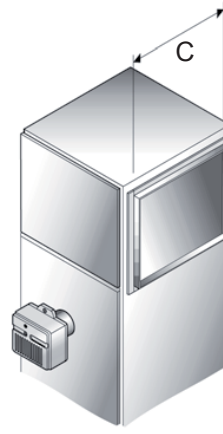
Alternative Return Air Spigots



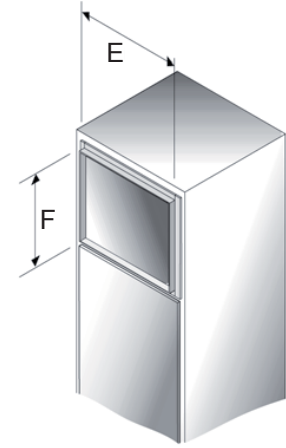
Top or bottom inlet spigot
HN/HD



Rear inlet spigot
HN/HD

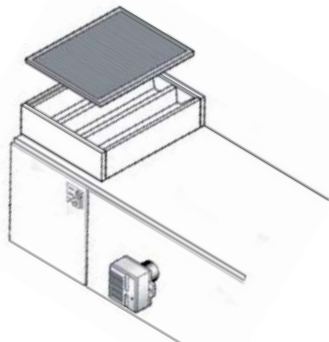


Side inlet spigot
RN/RD

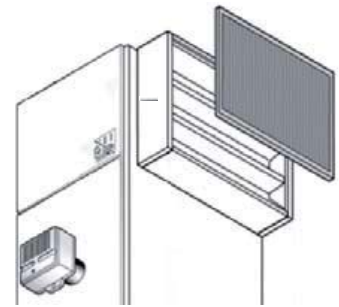


Rear inlet spigot
RN/RD

Air Filters



Top or bottom inlet filter
HN/HD



Side inlet filter
RN/RD

DIMENSIONS

New Model Ref	60	75	85	120	135	180	205	235	275	350	375
Old Model Ref	200	250	300	400	500	600	700	800	1000	1200	1300
Nozzle ϕ (HN/RN)	203	203	203	284	284	419	419	419	419	470	470
Duct Spigot (All)	A	790	790	790	952	952	1182	1182	1450	1450	1365
	B	560	560	560	640	940	816	816	1000	1000	1086
Top & Side Inlet (HN/HD & RN/RD)	C	702	702	702	904	904	1078	1078	1145	1145	1150
	D	427	427	427	542	542	692	692	654	654	796
Rear Inlet (HN/HD)	E	520	520	520	608	608	790	790	935	935	n/a
	F	520	520	520	550	550	560	560	654	654	n/a
Installation Clearances											
Front	500	500	500	600	600	600	900	900	900	900	900
Top (RN/RD)	150	150	150	150	150	150	150	150	150	150	150
Top ¹ (HN/HD)	150	150	150	150	150	150	150	400	400	500	500
Rear	1000	1000	1000	1200	1200	1500	1500	2000	2000	2000	2000

¹ Top clearance applies to units with side air inlet. For units with top air inlet allow 1000mm



Benson Heating, Ludlow Road
Knighton, Powys, LD7 1LP
United Kingdom

Telephone 01547 528534
Facsimile 01547 520399
E-mail sales@bensonheating.co.uk
Website www.bensonheating.co.uk



Benson Heating Ltd is a registered trademark of AmbiRad Limited. Because of continuous product innovation, Benson Heating reserves the right to change product specification without due notice.